



## Pallet Trucks

# T14 B

Capacity 1.4 t | Series 1132

**ION**

**Agile indoor assistant**

- Compact electric pallet truck for light to medium duty tasks indoors
- Nominal load capacity of 1.4 tonnes, ideal for horizontal transport of goods
- Intended for short distance use in retail, warehousing and industrial supply applications
- Ergonomic design allows precise, effortless operation
- Running time of 3-4 hours per battery charge ensures high availability

# TECHNICAL DATA (according to VDI 2198)

Characteristics	1.1	Manufacturer (abbreviation)		Linde MH
	1.2	Manufacturer's type designation		T14 B
	1.2 a	Series		1132
	1.3	Drive		Battery
	1.4	Operation		Pedestrian
	1.5	Rated capacity/rated load	Q (t)	1.4
	1.6	Load centre distance	c (mm)	600
	1.8	Load distance, centre of drive axle to fork	x (mm)	935/975 <sup>1)2)</sup>
	1.9	Wheelbase	y (mm)	1220/1260 <sup>1)2)</sup>
Weight	2.1	Service weight	kg	175 <sup>3)4)</sup>
	2.2	Axle loading, laden front/rear	kg	460/1115
	2.3	Axle loading, unladen front/rear	kg	135/40 <sup>3)4)</sup>
Tyres/chassis	3.1	Tyres: solid rubber, superelastic, pneumatic, polyurethane		Polyurethane
	3.2	Tyre size, front		Ø 210 × 75
	3.3	Tyre size, rear		Ø 80 × 90 (Ø 80 × 70) <sup>5)</sup>
	3.4	Additional wheels (dimensions)		Ø 80 × 30
	3.5	Wheels, number front/rear (x = driven wheels)		1x + 2/2 (1x + 2/4) <sup>5)</sup>
	3.7	Tread, rear	b11 (mm)	400 (525) <sup>6)4)</sup>
Dimensions	4.4	Lift	h3 (mm)	115 <sup>2)</sup>
	4.9	Height drawbar in driving position min./max.	h14 (mm)	750/1185
	4.15	Height, lowered	h13 (mm)	85 <sup>2)</sup>
	4.19	Overall length	l1 (mm)	1650 <sup>8)</sup>
	4.20	Length to fork face	l2 (mm)	500 <sup>8)</sup>
	4.21	Overall width	b1/b2 (mm)	560 (685) <sup>2)6)</sup>
	4.22	Fork dimensions DIN ISO 2331	s/e/l (mm)	55/160/1150
	4.25	Fork spread	b5 (mm)	560 (685) <sup>2)6)</sup>
	4.32	Ground clearance, centre of wheelbase	m2 (mm)	150/35 <sup>1)</sup>
	4.34.1	Aisle width for pallets 1000 × 1200 crossways	Ast (mm)	2219 <sup>8)9)</sup>
	4.34.2	Aisle width for pallets 800 × 1200 lengthways	Ast (mm)	2095 <sup>8)9)</sup>
4.35	Turning radius	Wa (mm)	1415/1455 <sup>1)10)</sup>	
Performance data	5.1	Travel speed, laden/unladen	km/h	4.5/5 <sup>1)1)</sup>
	5.2	Lifting speed, laden/unladen	m/s	0.03/0.035 <sup>1)1)</sup>
	5.3	Lowering speed, laden/unladen	m/s	0.046/0.033 <sup>1)1)</sup>
	5.8	Max. gradeability, laden/unladen	%	8.0/16.0
	5.9	Acceleration time, laden/unladen	s	10.0/9.0 <sup>1)1)</sup>
	5.10	Service brake		Electric
Electric-engine	6.1	Drive motor rating S2 60 min	kW	1
	6.2	Lift motor rating at S3 15%	kW	0.8
	6.3	Battery according to DIN 43531/35/36 A, B, C, no		no
	6.4	Battery voltage/nominal capacity K 5	(V)/(Ah) or kWh	48/20
	6.5	Battery weight (±5%)	kg	14
	6.6	Energy consumption according to DIN EN 16796	kWh/h	0.13
Additional data	10.7	Sound pressure level LpAZ (at the operator's seat)	dB(A)	66

1) Forks upraised/lowered

2) (±5 mm)

3) Figures with battery, see line 6.4/6.5.

4) (±5%)

5) Figures in parenthesis with tandem load wheels

6) Figures in ( ) optional

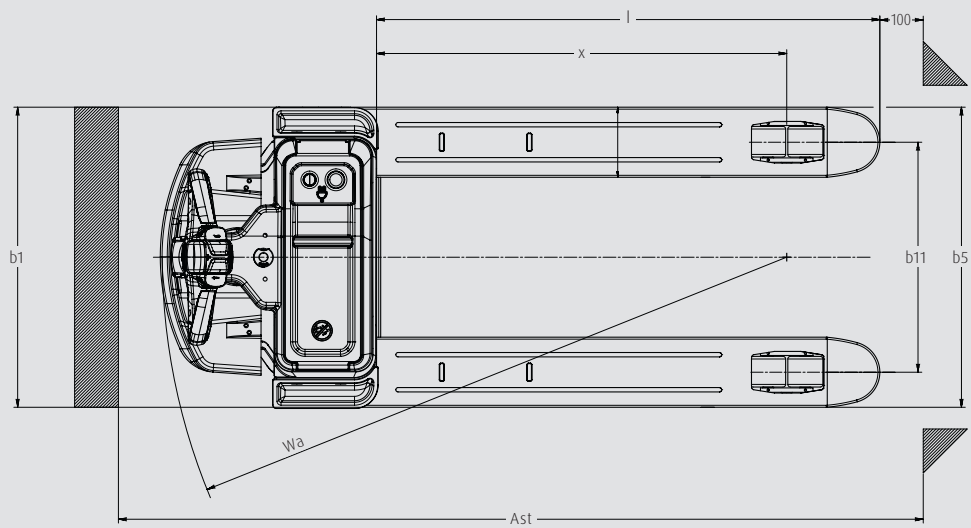
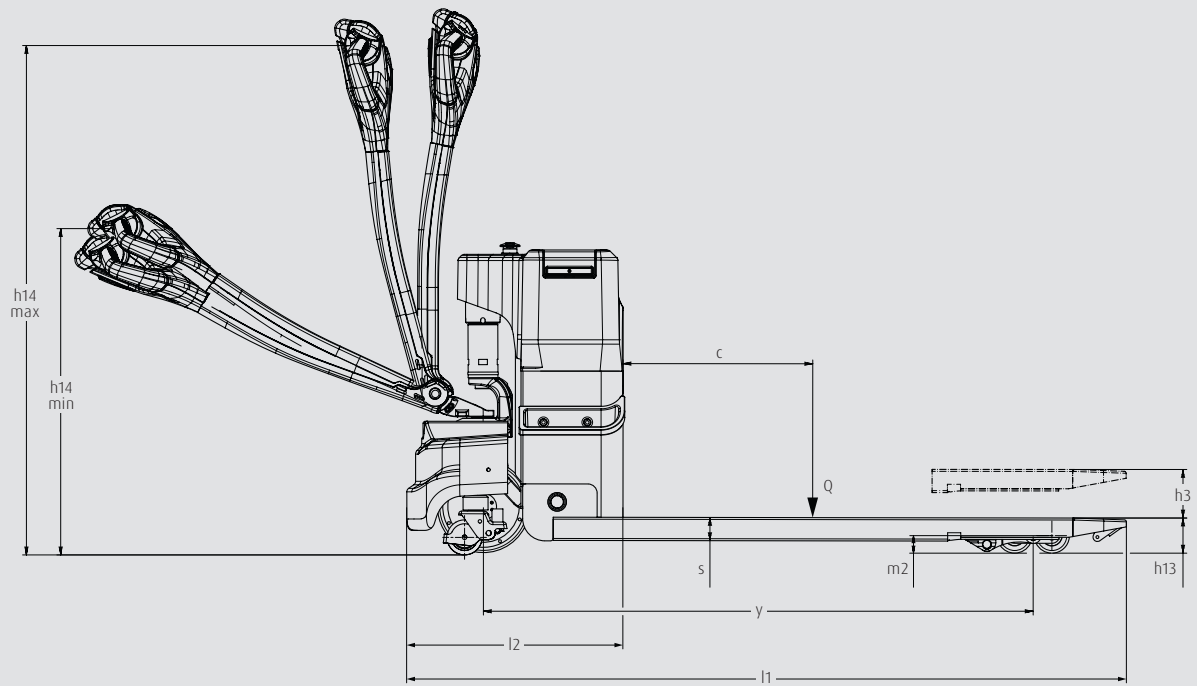
7) (0/-5 mm)

8) (±1%)

9) Including a 200 mm (min.) operating aisle clearance

10) With creep speed = tiller in vertical position

11) (±10%)





# STANDARD AND OPTIONAL EQUIPMENT

Manufacturer's type designation/equipment		T14 B
Safety	Automatic parking brake	●
	Buzzer	●
	Belly switch on tiller head	●
	Key switch	●
	Access to the truck via RFID card	○
Service	Linde service and diagnostic interface	●
Operation/ load handling	Creep speed button - allows low speed operation with tiller vertical	●
	Castor wheels for maximum stability	●
Workplace	Driving and lifting control via ergonomic tiller head	●
	Display showing battery status, operating hours and error codes	●
Attachment/ forks	Width over forks: 560 mm	●
	Width over forks: 685 mm	○
Axles and tyres	Polyurethane drive wheel	●
	Polyurethane tandem load wheels	●
	Polyurethane single load wheels	○
Drive and brake system	Maintenance-free 1 kW three-phase motor	●
	Electromagnetic braking system	●
Energy	Lithium-ion battery: 48 V/20 Ah	●
	Lithium-ion battery: 48 V/30 Ah	○
	Integrated lithium-ion charger, 10 A/15 A (depending on battery capacity)	●
	EU charging plug	●
	UK charging plug	○

● Standard equipment    ○ Optional equipment

# CHARACTERISTICS



Castor wheels for additional stability

## Safety

- Maximum stability thanks to special castor wheel system
- Automatic parking brake prevents unintentional roll-back on gradients
- Booster function enables safe starting on gradients or ramps
- Long, low-mounted tiller ensures a safe distance between the operator and the truck
- Belly switch stops the truck if there is a risk of entrapment



Ergonomically shaped tiller head

## Ergonomics

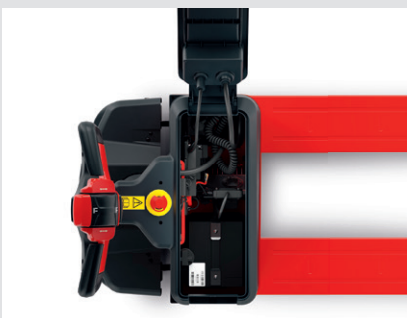
- Ergonomic Linde tiller head ensures comfortable operation
- Fatigue-free operation thanks to easily accessible controls
- Truck can be operated with left or right hand
- Electric lift and lowering of the forks for convenient load handling
- Display integrated in the tiller head shows important vehicle information



Precise and convenient working

## Handling

- Energy-efficient electric motor for powerful performance
- Traction speed up to 5 km/h, handles gradients up to 16% when empty
- Creep speed function ensures precise handling even in the tightest of spaces
- Smooth acceleration thanks to innovative control unit
- Integrated charger allows intermediate charging in any location



Easy access to interior components

## Service

- Robust design for high availability and low service costs
- Easy access to internal components for quick and efficient servicing
- Rapid fault diagnosis thanks to CAN bus architecture
- Direct access to data through central service diagnostics interface

Presented by:

Subject to modification in the interest of progress. Illustrations and technical specifications could include options and are not binding for actual constructions. All dimensions subject to usual tolerances.



**Linde Material Handling GmbH**  
Carl-von-Linde-Platz | 63743 Aschaffenburg | Germany  
Phone + 49 6021 99 0 | Fax + 49 6021 99 1570  
www.linde-mh.com | info@linde-mh.com

DS\_T14B\_1132\_en\_B\_0625

