

Standard Equipment/Optional Equipment

Standard Equipment

General:

Three-wheel configuration with unique suspended drive unit
Overall width 1398 mm (R14G/16G), 1458 mm (R20G)

Linde Load Control for lift/lower, reach, tilt and side shift

Linde twin accelerator pedals

Comprehensive digital instrument display

PVC covered seat

Sealed, maintenance-free AC 6,5 kW drive & 14 kW lift motors

Linde rheological 180° electric steering with tactile feedback

Linde Digital Control System (LDC) for smooth, precise electronic control of all traction and hydraulic functions

Super-elastic load wheel tyres and durable rubber drive tyre

Super-elastic load wheel tyres and durable rubber drive tyre

New Standard Features:

Variable energy saving/performance modes (Economy, Efficiency, Performance) for individual applications

Resiliently mounted operator's compartment

Fully adjustable air suspension seat with auto adjustment for operator's weight

Integral, adjustable control console

Generous storage compartments

Key switch, or alternatively PIN code access

Lift height indicator above free lift (250 mm TX, 1,000 mm STD)

Mast:

Torsion-resistant clear view STD and TX - tilting masts

Safety:

Monitoring system stops truck in the event of traction, steering or lift failure

Seat-actuated traction interlock

Linde Curve Assist reduces traction speed while cornering

Four independent braking systems (Regenerative and counter current braking, holding brake control with automatic parking brake and all-wheel brake system)

Automatic travel speed reduction above free-lift

(250 mm TX, 1,000 mm STD)

Automatic slowdown at end of reach travel and at max. lift

Lift height related travel speed reduction

Self-adjusting service brakes

Emergency isolator

Battery lock with creep speed interlock

Electrical and hydraulic overload protection

Protective polycarbonate screen between console and mast

Optional Equipment

STD tilting mast lifts to 6,530 mm, TX tilting mast to 7,710 mm

Integral side shift

Side shift centering

Alternative fork lengths

Fork extensions

Load backrest

Height adjustable armrest

Single axis joysticks for each hydraulic function

Single accelerator pedal, automotive layout with left foot interlock

Reverse steering

Additional lift height display at overhead guard

Advanced colour TFT display

Panoramic mirror

Option mounting bar

Clipboard

Radio Data Terminal bracket

Fan underneath overhead guard for operator comfort

Fabric covered seat

Leather reinforced seat squab

Heated seat

Shoulder protection frame

Draught protection door

High Vision armoured glass roof

Steel mesh profile or polycarbonate insert for metal overhead guard

Modular ambient cab versions, also available with heater

Interior light

Auxiliary 12 V power socket

Blue Spot™ safety light

Truck Spot™ safety light

LED working lamps

Rotating/flashing beacon

Linde Connected Solutions

Audible traction alarm

Additional hydraulic circuit for attachments

Bump stops in metal or in plastic

Battery on rollers

Battery roller stand

Alternative colour schemes

Lift height indicator within free lift*

Lower & reachback interlock*

Fork carriage mounted CCTV camera system*

Fork carriage mounted CCTV camera system*

* Available via Customized Option. Other options on request.



Electric Reach Trucks Capacity 1400 - 2000 kg R 14 G, R 16 G, R 20 G

Series 1120



Safety

Designed for optimum operator comfort and safety, the Linde SE-tired 'G' reach truck range offers a versatile dual-purpose role in both internal and external applications. The unique Linde drive unit suspension and large tyres enable it to operate effectively outside on uneven surfaces, loading and unloading road vehicles, for example; as well as storing and retrieving loads in narrow aisle warehouses.

Performance

Powerful AC traction and lift motors combine with the renowned Linde intelligent controller to deliver seamless, energy efficient performance for optimum productivity. Clear view tilting masts provide smooth, highly efficient storage and retrieval cycles.

Comfort

A world first sees the operator's work station resiliently mounted to the base chassis isolating the operator from shocks and vibrations. An ergonomic, fully adjustable air suspension seat and integral control console housing the fingertip joystick hydraulic levers together with a compact steering wheel gives unsurpassed levels of operator comfort. The unique Linde rheological electric steering system enables effortless operation and assured maneuvering and travelling.

Features

Superb working environment

- Outstanding comfort and functionality from the unique, resiliently mounted work station with an air suspension comfort seat which is fully adjustable to the operator's personal preferences
- Integral, adjustable control console incorporating all operating controls
- Linde Load Control: precise, effortless fingertip control of all mast movements
- High Vision armoured glass overhead guard top panel available as an option; standard with ambient cabin

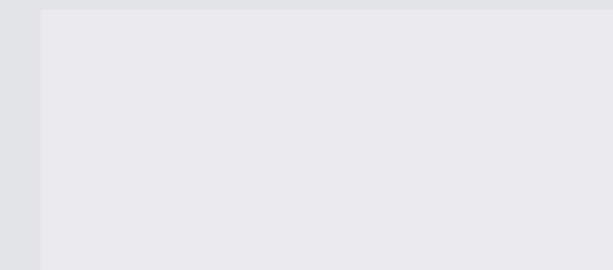
Manoeuvrability

- A short wheelbase with compact chassis dimensions and smooth, electric rheological steering ensure easy, efficient manoeuvring and accurate straightline travel performance
- Adjustable steering torque to suit operator's personal preferences
- Excellent all-round visibility of the load and surrounding environment



Precision

- Confident, seamless manoeuvring with unique Linde twin accelerator pedals
- High precision load handling with Linde Load Control
- Highly responsive and progressive electric rheological steering
- Digital instrument display for instant readout of truck status
- Integral, adjustable operator's control console



Linde Material Handling GmbH, Postfach 10 01 36, 63701 Aschaffenburg, Germany
Phone +49.6021.99-0, Fax +49.6021.99-1570, www.linde-mh.com, info@linde-mh.com



Linde clear view mast

- Torsion-resistant tilting clear view standard and triplex masts
- Twin cylinder configuration for optimum visibility (STD) plus center free lift cylinder (TX)
- Hydraulic hoses reeved through the mast to enhance visibility



Wheels and tyres/unique suspension

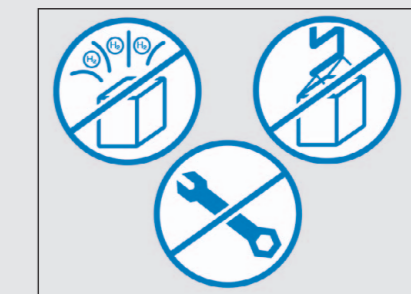
- Large diameter for operation on uneven ground
- Unique Linde drive unit suspension to absorb vibration and road shocks

Stability

- Chassis designed and built for maximum strength and durability
- Heavy-duty design and components enhance the inherent low centre of gravity for optimum stability and high residual capacities
- Linde Curve Assist for safe cornering

Linde twin accelerator pedals

- Seamless and effortless forward/reverse selection provides outstanding traction control and places minimal demands on operator
- The left foot is safely protected within the chassis contours
- The operator is able to maintain high levels of efficiency and productivity



LI-ION batteries

- Emission-free batteries
- No battery gases (hydrogen) and acid
- No battery change necessary
- No requirement for a costly battery charging/changing room facility
- No battery-maintenance
- No battery cleaning or water top ups required



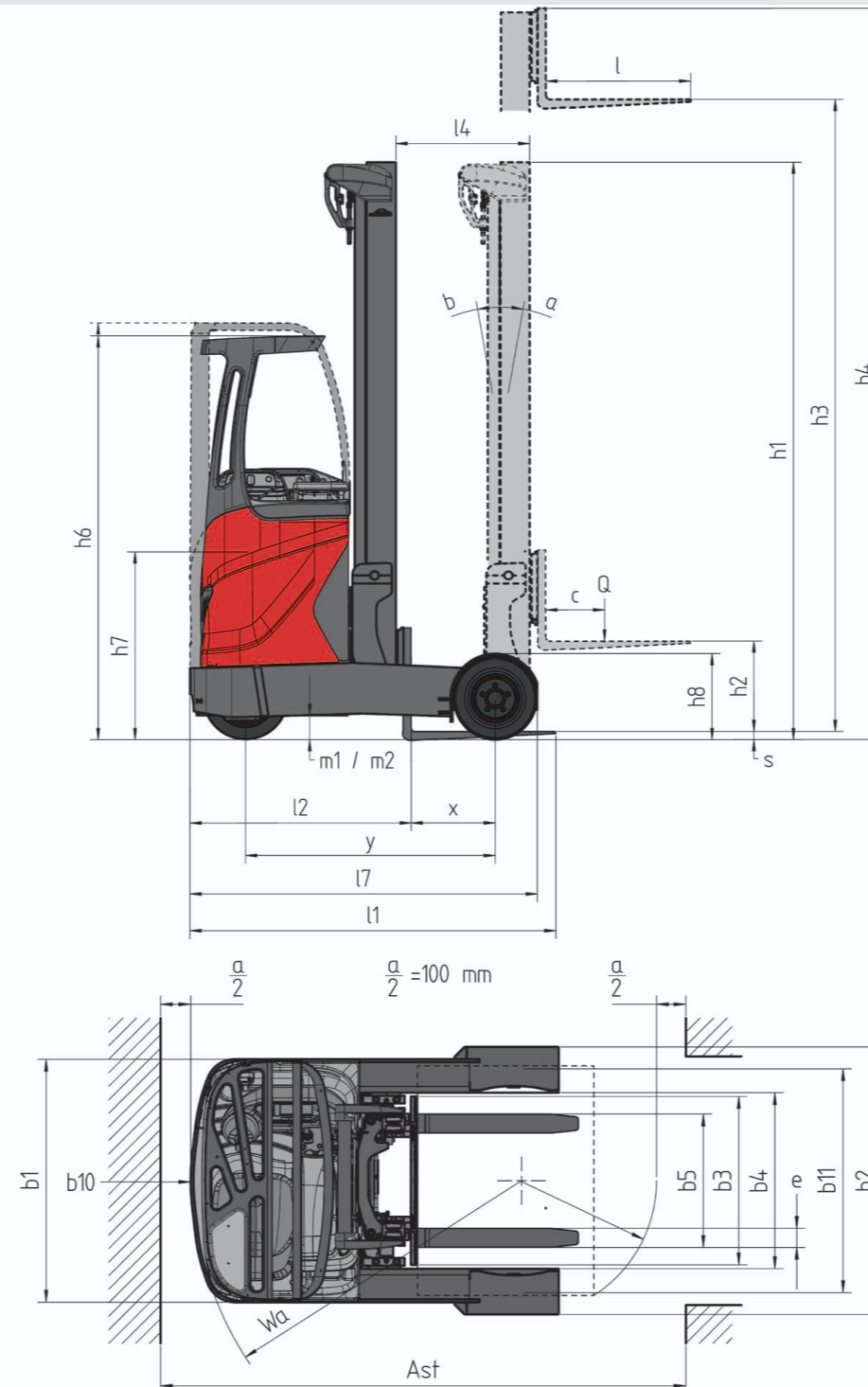
Subject to modification in the interest of progress. Illustrations and technical details could include options and not binding for actual constructions. All dimensions subject to usual tolerances.

Printed in Germany 152.e: 1.0818.lind0.ki

Technical Data according to VDI 2198

Characteristics			LINDE R14G	LINDE R16G	LINDE R20G
1.1	Manufacturer		LINDE	LINDE	LINDE
1.2	Manufacturer's type designation		R14G	R16G	R20G
1.2a	Series		1120-00	1120-00	1120-00
1.3	Power unit		Battery	Battery	Battery
1.4	Operation		Seat	Seat	Seat
1.5	Load capacity/Load	Q (t)	1.4	1.6	2.0
1.6	Load centre distance	c (mm)	600 / 500	600 / 500	600 / 500
1.8	Axle centre to fork face	x (mm)	360	360	510
1.9	Wheelbase	y (mm)	1380	1380	1530
Weights					
2.1	Service weight	(kg)	3410 ¹⁾	3470 ¹⁾	3650 ¹⁾
2.3	Axle load without load, front/rear	(kg)	2160 / 1250	2190 / 1280	2390 / 1260
2.4	Axle load, fork outreached, with load, front/rear	(kg)	645 / 4165	610 / 4460	560 / 5090
2.5	Axle load, fork retracted, with load, front/rear	(kg)	1916 / 2894	1911 / 3159	2272 / 3378
Wheels/Tyres					
3.1	Tyres rubber, SE, pneumatic, polyurethane		SE	SE	SE
3.2	Tyre size, front		18x8x12 1/8	18x8x12 1/8	18x8x12 1/8
3.3	Tyre size, rear		180/60-10	180/60-10	200/50-10
3.5	Wheels, number front/rear (x = driven)		1x / 2	1x / 2	1x / 2
3.6	Track width, front	b10 (mm)	0	0	0
3.7	Track width, rear	b11 (mm)	1210	1210	1250
Dimensions					
4.1	Mast/fork carriage tilt, forward/backward	a/b (°)	2.0 / 4.0	2.0 / 4.0	2.0 / 4.0
4.2	Height of mast, lowered	h1 (mm)	2302	2602	3002
4.3	Free lift	h2 (mm)	1557	1857	2257
4.4	Lift	h3 (mm)	4910	5710	6960
4.5	Height of mast, extended	h4 (mm)	5651 ²⁾	6451 ²⁾	7701 ²⁾
4.7	Height of overhead guard (cabin)	h6 (mm)	2236 ³⁾	2236 ³⁾	2236 ³⁾
4.8	Height of seat/stand on platform	h7 (mm)	1036 - 1168	1036 - 1168	1036 - 1168
4.10	Height of reach legs	h8 (mm)	473	473	473
4.19	Overall length	l1 (mm)	2478 ⁴⁾	2478 ⁴⁾	2478 ⁴⁾
4.20	Length to fork face	l2 (mm)	1328 ⁴⁾	1328 ⁴⁾	1328 ⁴⁾
4.21	Overall width	b1/b2 (mm)	1270 / 1398	1270 / 1398	1270 / 1458
4.22	Fork dimensions DIN ISO 2331	s/e/l (mm)	45 x 100 x 1150	45 x 100 x 1150	45 x 100 x 1150
4.23	Fork carriage to ISO 2328, class/type A, B		2B	2B	2B
4.24	Width of fork carriage	b3 (mm)	790	790	790
4.25	Fork spread	b5 (mm)	296 / 829	296 / 829	296 / 829
4.26	Distance between wheel arms/loading surfaces	b4 (mm)	920	920	920
4.28	Reach travel	l4 (mm)	634	634	779
4.31	Ground clearance, below mast	m1 (mm)	168	168	168
4.32	Ground clearance, centre of wheelbase	m2 (mm)	132	132	132
4.34.1	Aisle width for pallets 1000 x 1200 crossways	Ast (mm)	2768 ^{1) 4) 5) 6)}	2768 ^{1) 4) 5) 6)}	2813 ^{1) 4) 5) 6)}
4.34.2	Aisle width with pallet 800 x 1200 along forks	Ast (mm)	2821 ^{1) 4) 5) 6)}	2821 ^{1) 4) 5) 6)}	2836 ^{1) 4) 5) 6)}
4.35	Turning radius	Wa (mm)	1690 ⁷⁾	1690 ⁷⁾	1838 ⁷⁾
4.37	Length of chassis	l7 (mm)	1920	1920	2070
Performance					
5.1	Travel speed, with/without load	(km/h)	14 / 14 ^{8) 9)}	14 / 14 ^{8) 9)}	14 / 14 ^{8) 9)}
5.2	Lifting speed, with/without load	(m/s)	0.51 / 0.58	0.49 / 0.58	0.44 / 0.58
5.3	Lowering speed, with/without load	(m/s)	0.6 / 0.6	0.6 / 0.6	0.6 / 0.6
5.4	Reach speed, with/without load	(m/s)	0.2	0.2	0.2
5.8	Maximum climbing ability, with/without load	(%)	10.0 / 10.0	10.0 / 10.0	10.0 / 10.0
5.9	Acceleration time, with/without load	(s)	-	-	-
5.10	Service brake		hydr./mech.	hydr./mech.	hydr./mech.
Drive					
6.1	Drive motor rating S2 60 min	(kW)	6.5	6.5	6.5
6.2	Lift motor rating at S3 15%	(kW)	14	14	14
6.3	Battery according to DIN 43531/35/36 A,B,C,no		43 531/C [Li-ION]	43 531/C [Li-ION]	43 531/C [Li-ION]
6.4	Battery voltage/rated capacity (5h)	(V)/(Ah)	48 / 560/620 [48/804] ^{1) 10)}	48 / 560/620 [48/804] ^{1) 10)}	48 / 560/620 [48/804] ^{1) 10)}
6.4.a	Battery energy content	(kWh)	[39.2] ¹⁰⁾	[39.2] ¹⁰⁾	[39.2] ¹⁰⁾
6.5	Battery weight (± 5%)	(kg)	939	939	939
6.6	Power consumption according to VDI cycle	(kWh/h)	4.1	4.3	5.3

1) Alternative batteries may alter l1, Ast and service weight.
 2) with integrated side shifter (with ± 80 mm side stroke)
 3) With ambient cabin + 95 mm
 4) With cabin + 80mm
 5) Including a 200 mm (min.) operating aisle clearance.
 6) Some truck specification require a reach-back restriction. Please note information in Linde World mast table.
 7) Attention, with cabin increased turning radius (Wa) due to required fender.
 8) forward; backward
 9) Depending on performance setting
 10) Figures in [] with Li-ION battery see line 6.4



Clear view tilt standard mast (in mm)											
R 14 G, R 16 G, R 20 G											
Lift	h3	3032	3332	3632	3932	4232	4532	4832	5132	5432	6532
Lift height	h3 + s	3077	3377	3677	3977	4277	4577	4877	5177	5477	6577
Free Lift	h2	150	150	150	150	150	150	150	150	150	150
Height of mast, lowered, incl. 150 mm free lift	h1	2243	2393	2543	2693	2843	2993	3143	3293	3443	3993
Height of mast, extended	h4	3767	4067	4367	4667	4967	5267	5567	5867	6167	7267
Clear view tilt triplex mast (in mm)											
R 14 G, R 16 G, R 20 G											
Lift	h3	4910	5210	5710	6360	6510	6660	6810	7260	7410	7710
Lift height	h3 + s	4955	5255	5755	6405	6555	6705	6855	7305	7455	7755
Free Lift	h2	1557	1657	1857	2107	2157	2207	2257	2407	2457	2557
Height of mast, lowered	h1	2294	2394	2594	2844	2894	2944	2994	3144	3194	3294
Height of mast, extended	h4	5652	5952	6452	7102	7252	7402	7552	8002	8152	8452

Alternative lift heights are available on request.
 Figures includes side shift.

